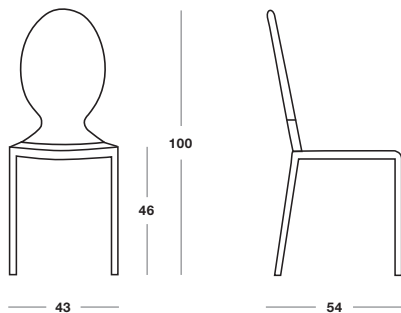


Paris



L 43 P 54 H 100 H 46 (seat)

Instructions for use

Use and maintenance

This product is suitable for home use. Do not step onto the seat part; do not lean back on the legs; do not sit on the back rest. Do not carry out any maintenance on the structure and for all requirements contact retailer.

Care of the leather parts

In order to keep the hide leather in good condition, dust it regularly with a soft, clean cloth. Once or twice a year, use the products contained in the "Ciacci Cleaning Kit" which can be purchased in our shops. Avoid using alcohol or other solvents which may corrode the hide. Never use steam. Do not use shoes cleaning products. Avoid rubbing the surface to be treated, plug down starting from the sides to the centre of the spot. Any possible spot of the leather surface can be removed using a soft cloth or some damp cotton wool and delicate cleaning products as mild soap and cleansing milk. Any possible surface imperfection is a natural leather characteristic (authenticity of the material). If it is directly exposed to sunlight, colour may be altered.