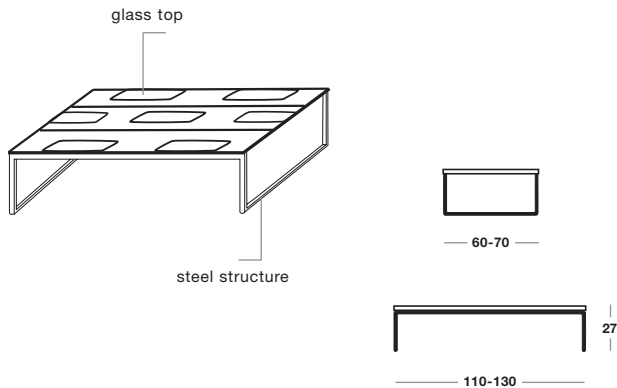


Optical



L 110 P 60 H 27 L 130 P 70 H 27

Product sheet

Element	Material
Structure	Squared steel tube chrome finish.
Top	10 mm tempered glass with mirror decoration.

Instructions for use

Use and maintenance

This product is suitable for home use. Do not stand on the top, do not seat on the surface. Avoid all types of impact to the glass parts; do not carry out maintenance to the products.

Care of the steel parts

These parts may be cleaned with a light, neutral cleaner and must be immediately dried. Do not use cleaning products which contain acetone, chloride or solvents, abrasive products or furniture wax. Use only a soft cloth to avoid scratching the surfaces.

Care of the glass parts

These parts may be cleaned with special products or with water and must be immediately dried. Use only a soft cloth to avoid scratching the surfaces.