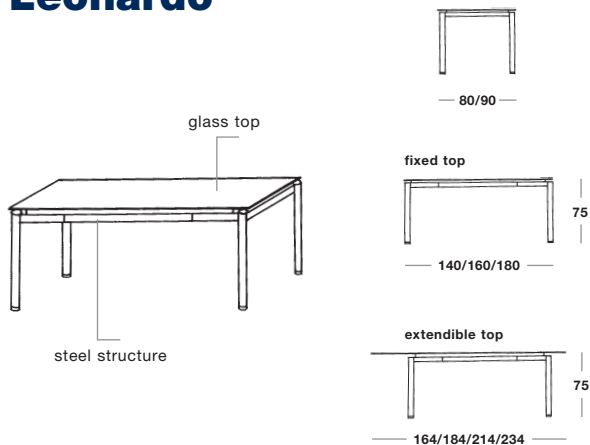


Leonardo



Fixed top

L 140 **P** 80 **H** 75
L 160 **P** 90 **H** 75
L 180 **P** 90 **H** 75

Extendible top

L 120/164 **P** 80 **H** 75
L 140/184 **P** 80 **H** 75
L 160/214 **P** 90 **H** 75
L 180/234 **P** 90 **H** 75

Product sheet

Element	Material
Structure	60x20x1,5 rectangular steel furniture tube.
Surface	12mm thick tempered glass, sand-blasted or transparent.
Legs	Ø 45x1,5 steel furniture tube.
Extension	Layered with cherry or grey laminate.
Accessories	Show-case and drawer in solid cherry.

Instructions for use

Use and maintenance

The product can be used in houses; do not hang from it and do not step onto the surfaces; any impact against the crystal-glass parts and any maintenance on the product should be avoided.

Care of the parts in essence and steel

Cleaning must be carried out with a neutral cleaner which must be dried off immediately. Always use a soft cloth.

Care of the glass parts

These parts may be cleaned with diluted alcohol, which must be dried off immediately with a soft cloth. Cleaning must be carried out with great care to avoid scratching the surfaces.