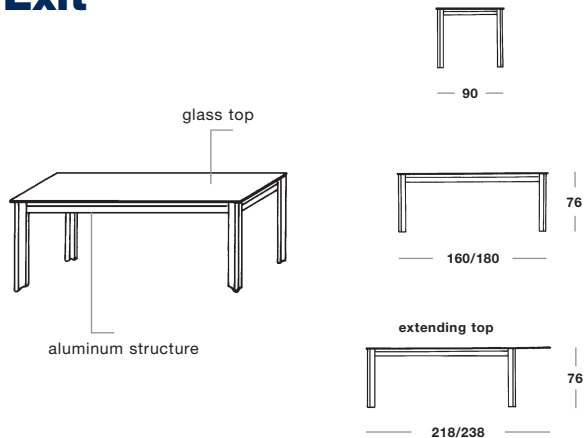


Exit



L 160/218 P 90 H 76 (extending)
L 180/238 P 90 H 76 (extending)

Product sheet

Element	Material
Structure	Legs and frame in shining aluminium.
Top	12mm tempered glass.
Extension	12mm satinated aluminium pierced laminate with decorative background. Runners system for extension is in aluminium.

Instructions for use

Use and maintenance

This product is suitable for home use; do not hang from it and do not stand on the top; avoid all kind of impacts to the glass parts. Do not carry out any maintenance or repair operations to the product.

Care of aluminium and laminate parts

Cleaning must be carried out with neutral detergents which must be dried off immediately with immediately with a soft cloth to avoid scratching the surfaces.

Care of the glass parts

These parts may be cleaned with specific products or water which must be dried off immediately with a soft cloth. Cleaning must be carried out with great care to avoid scratching the surfaces.