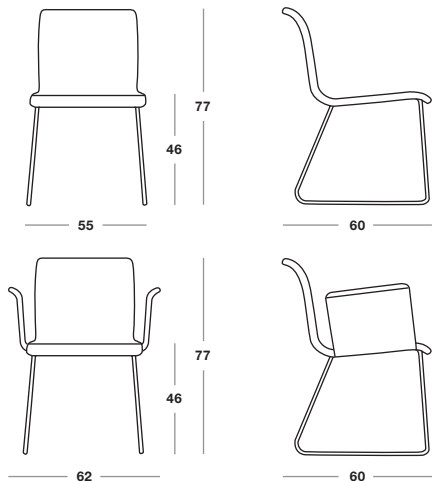


Cloe



L 55 P 60 H 77 H 46 (seat)
L 62 P 60 H 77 H 46 (seat)

chair
armchair

Instructions for use

Use and maintenance

This product is suitable for home use. Do not step onto the seat part; do not lean back on the legs; do not sit either on the back rest or on the arms. Do not carry out any maintenance on the structure and for all requirements contact retailer.

Care of metal parts

Cleaning must be carried out with neutral detergents. Dry immediately using a soft cloth to avoid scratching surfaces. Do not use products which contain acetone, ammonia, chloride, solvents, abrasives and furniture wax.

Care of leather parts

In order to keep the hide leather in good condition, dust it regularly with a soft, clean cloth. Once or twice a year, use the products contained in the "Ciacci Cleaning Kit" which can be purchased in our shops. Avoid using alcohol or other solvents which may corrode the hide. Never use steam. Do not use shoes cleaning products. Avoid rubbing the surface to be treated, plug down starting from the sides to the centre of the spot. Any possible spot of the leather surface can be removed using a soft cloth or some damp cotton wool and delicate cleaning products as mild soap and cleansing milk. Any possible surface imperfection is a natural leather characteristic (authenticity of the material). If it is directly exposed to sunlight, colour may be altered.