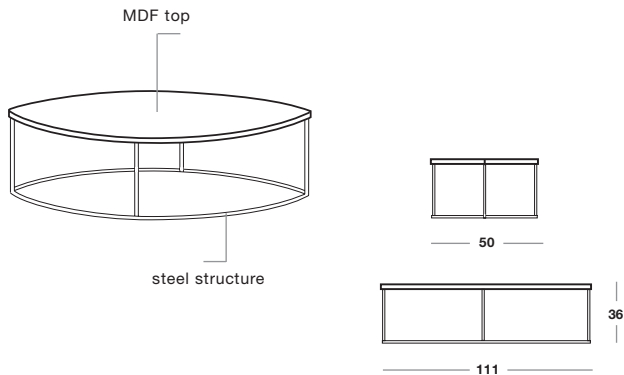


Betulla



L 111 P 50 H 36

Product sheet

Element	Material
Base	Chromed drawn solid steel.
Veneered top	Veneered MDF with herring-bone pattern zebrawood compound natural finish.
Lacquered top	Lacquered MDF with non-toxic paints chrome finish.

Instructions for use

Use and maintenance

This product can be used in houses. Do not hang from it, do not step onto the top and do not seat on the top; any impact against the wooden parts and any maintenance on the products should be avoided.

Care of the steel parts

Cleaning must be carried out with neutral detergents which must be immediately dried off. Avoid using products containing acetone, ammonia, chlorine and solvents, abrasive products, furniture polish. Avoid using metallic sponge and washing powder. Always use a soft cloth to avoid scratching surfaces.

Care of the essence parts

Cleaning must be carried out with a neutral detergents which must be immediatley dried off. Always use a soft cloth to avoid scratching surfaces.