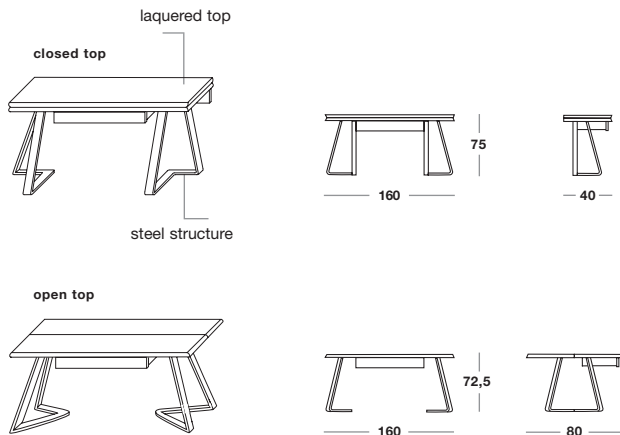


Bend



L 160 P 40/80 H 75/72,5

Product sheet

Element	Material
Legs	Chromed or non toxic oven-baked painted steel flat tube.
Frame	Non-toxic oven-baked painted steel tube.
Surface and drawer	Non-scratch lacquered MDF treated with non toxic paints.
Characteristics	Double leaf table whose opening doubles its surface. Drawer has a total opening and is provided with invisible runners, silent movement and soft automatic return.

Instructions for use

Use and maintenance

This product can be used in houses. Do not hang from it, do not step onto the top and do not seat on the top. Any impact against the wooden parts and any maintenance on the product should be avoided.

Care of the steel parts

Cleaning must be carried out with neutral detergents which must be immediately dried off. Avoid using products containing acetone, ammonia, chlorine and solvents, abrasive products, furniture polish. Avoid using metallic sponge and washing powder. Always use a soft cloth to avoid scratching surfaces.

Care of the parts made out of lacquered

Cleaning must be carried out with neutral detergents which must be immediately dried off. Always use a soft cloth to avoid scratching surfaces.